



MANDOLIN MEASUREMENT FORM

(Also use for mandocello and mandola)

MEASURING INSTRUCTIONS

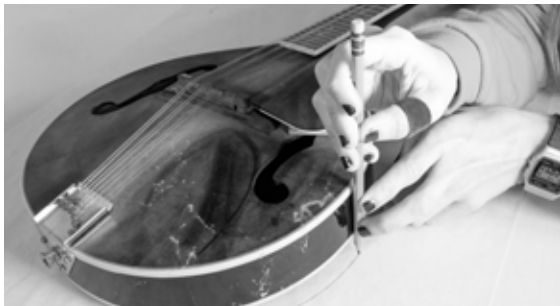
- Place the instrument on a table & rest the end of the headstock at on a 3/4" block. Tip: Try a stack of post-it notes, business cards, or a thin book.
- Take measurements to the nearest 1/16".
- Note anything unusual about your guitar. Have there been any modifications since the original/factory purchase or anything else that requires special cutting of the padding? If so, please include the measurements for these items & note their placement in the notes field and/or on the digram in the lower right corner.

TRACING INSTRUCTIONS

- Place the instrument laying flat on a solid surface, with the paper placed underneath. Use a sturdy paper but no cardboard please.
- With your drawing tool placed firmly against the instrument's edge, and perpendicular to the surface of the paper, mark the paper according to the contour of the instrument.

PHOTO INSTRUCTIONS

Take 3 Photos of your instrument and submit them with your tracing. Place post-it note on instrument body (we use this for scale). **A.** Hold camera directly above the center of the body and photograph the body. **B.** Hold camera directly above center of instrument and photograph the entire instrument. **C.** Hold camera perpendicular to the side of instrument and photograph side profile of the entire instrument.



CUSTOMER INFORMATION

Name: _____ Date: _____
 Email: _____ Phone: _____

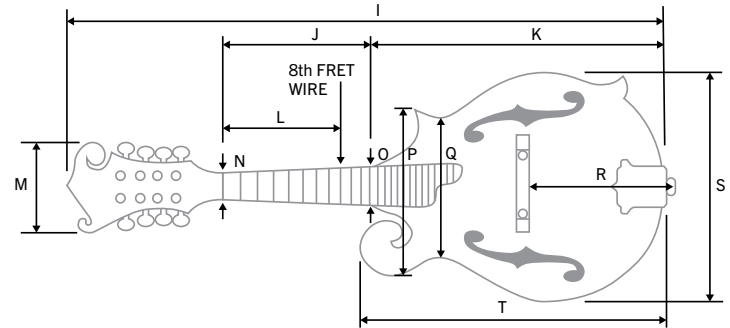
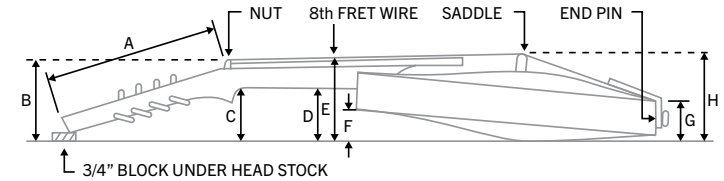
INSTRUMENT INFORMATION

Brand: _____ Model: _____
 Year: _____ Serial #: _____
 Have there been any modifications? yes no

MEASUREMENTS

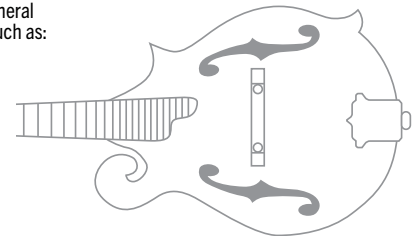
- A** length from end of headstock to the nut _____
 - B** table to top of string at 1st fret wire _____
 - C** table to bottom of neck at 1st fret wire _____
 - D** table to bottom of neck at 8th fret wire _____
 - E** table to top of string at 8th fret wire _____
 - F** table top to back of mandolin at heel _____
 - G** table to top of body at end pin _____
 - H** table to top of saddle _____
 - I** length of mandolin (overall) _____
 - J** length of neck (nut to where the neck meets the body) _____
 - K** length of body (where neck meets body to end of body at the end pin) _____
 - L** length from nut to the 8th fret wire _____
 - M** width of headstock (includes tuners) _____
 - N** width of neck at nut _____
 - O** width of neck where it meets the body _____
 - P** width of body at widest point of top bout _____
 - Q** width of thinnest point (waist) between upper and lower bout _____
 - R** length from body at the end pin to the saddle _____
 - S** width of body at widest point of lower bout _____
 - T** length of body (overall) _____
- Measured by _____

Notes:



Use this digram to indicate the general location of any notable features such as:

- Knobs
- Audio Jacks
- Buttons
- Additional End Pins
- etc.



Please send your completed measurement form, tracing, and photos to your authorized Calton Cases Dealer or Calton Sales Rep.