



ACOUSTIC MEASUREMENT FORM

(Also use for flat top bouzouki, mandocello, ukulele, etc.)

CUSTOMER'S INFORMATION

For Dealer's inventory

ORDER #

NAME _____

EMAIL _____

PHONE _____

DATE _____

INSTRUMENT INFORMATION

Instrument Brand: _____

Model: _____

Year: _____ Serial #: _____

Have there been any modifications? yes

MEASURING INSTRUCTIONS

STEP 1:
Place the instrument on a table & rest the body at the heel on a 1/2" block.

STEP 2:
Take measurements to the nearest 1/16".

STEP 3:
Make a tracing of the guitar body shape using butcher, tracing, or a reasonable weight paper. It is important that this tracing is accurate to obtain a precise fit for your instrument.

STEP 4:
Note anything unusual about your guitar. Have there been any modifications since the original/factory purchase or anything else that requires special cutting of the padding? If so, please include the measurements for these items & note their exact placement on your tracing.

STEP 5:
Is your guitar a cutaway? Please indicate whether you want the cutaway filled with padding or left open for extra storage. fill leave

TRACING INSTRUCTIONS

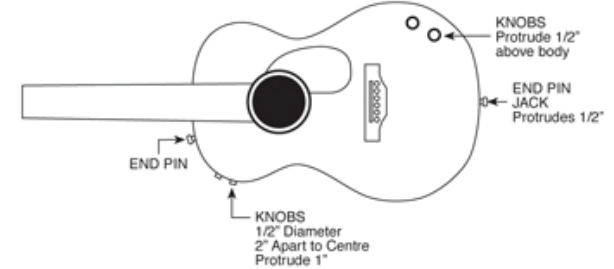
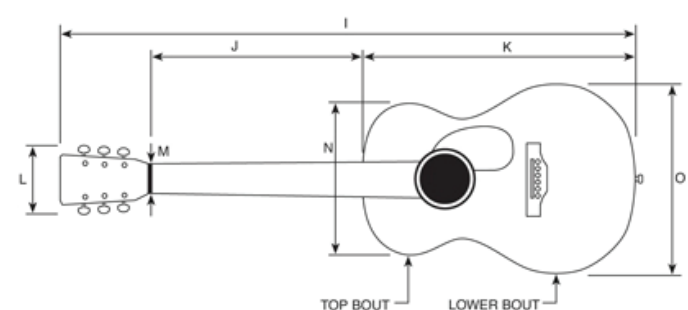
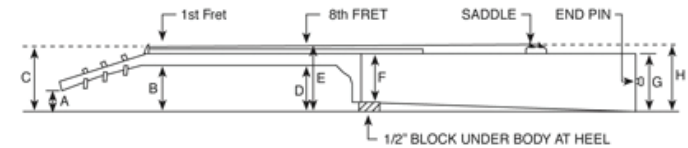
• Place the instrument laying flat on a solid surface, with the paper placed underneath.

• With your drawing tool placed firmly against the instrument's edge, and perpendicular to the surface of the paper, mark the paper according to the contour of the instrument.



MEASUREMENTS

- A • table to bottom of **headstock** _____
- B • table to bottom of **neck at 1st fret** _____
- C • table to top of **string at 1st fret** _____
- D • table to bottom of **neck at 8th fret** _____
- E • table to top of **string at 8th fret** _____
- F • depth of **body at heel** _____
- G • table to top of **body at end pin** _____
- H • table to top of **saddle** _____
- I • length of **guitar** (overall) _____
- J • length of **neck** (nut to where the neck meets the body) _____
- K • length of **body** (where the neck meets the body to the end of the body at the end pin) _____
- L • width of **headstock** (includes tuners) _____
- M • width of **neck at nut** _____
- N • width of **body at widest point of top bout** _____
- O • width of **body at widest point of lower bout** _____



Measured by: _____

Remember! Please send your completed measurement & order forms, along with your tracing to your authorized Calton Cases Dealer. Feel free to include any photos of your instrument.